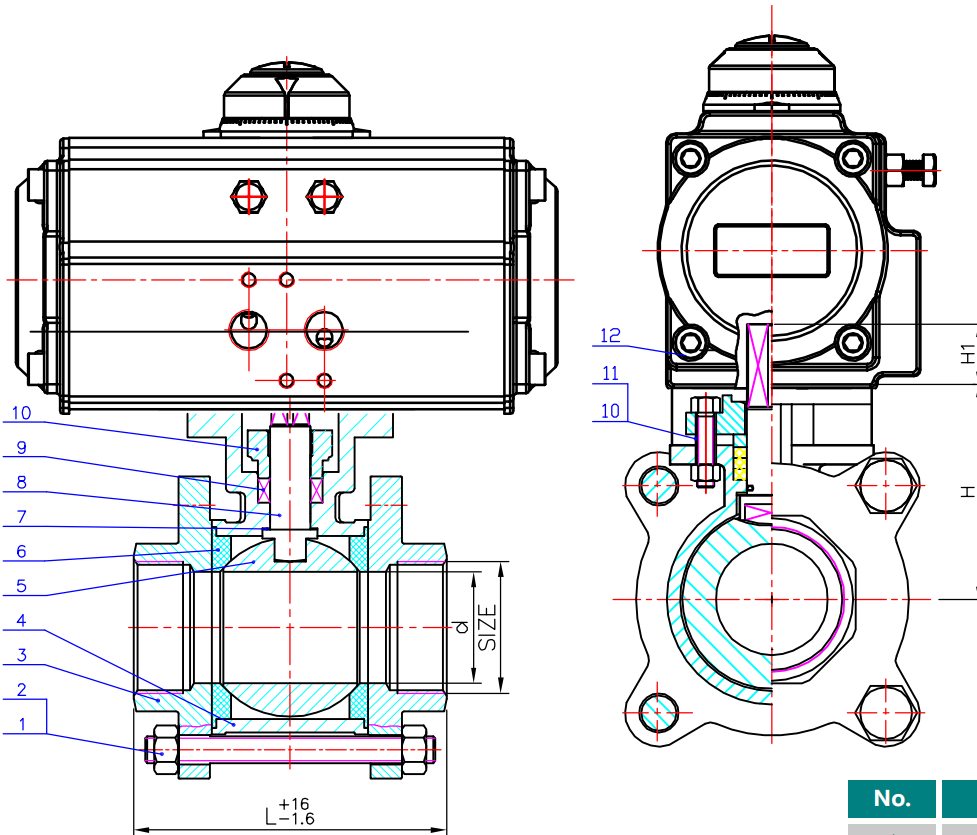


3PC Internal Thread Ball Valve

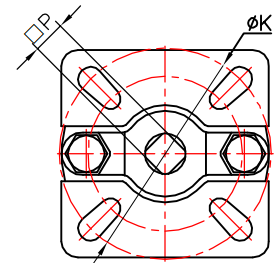


technical Specification

- 1.Design and manufacture as per API 608.
- 2.End to end dimension be established by the manufacturer.
- 3.Thread end dimension as per ASME B1.20.1.
- 4.Test & inspection as per API 598.



Main Technical Parameter			
Normal Pressure		1000	Psi
Test Pressure	Shell test pressure	10.5	
	Tightness test	7.7	Mpa
	Gas-Tightness test	0.6	
Max working temperature		-20~150	°C
Applicable medium:water,gas,oil,acid			



DN	Size	d	L	ØK	□ P	H	H1	Torque N.m
15	1/2"	15	67	50	9	50	10	6
20	3/4"	20	78	50	9	55	10	8
25	1"	25	87	50	11	55	12	10
32	1 1/4"	32	100	50	11	67	12	12
40	1 1/2"	38	110	70	14	78	15	20
50	2"	49	130	70	14	83	15	28
65	2 1/2"	65	167	102	17	115	18	33
80	2 1/2"	78	200	102	17	130	18	51
100	4"	100	240	102	19	150	20	66

No.	Part Name	Material
1	Bolt	B8M-CL2
2	Nut	8M
3	End Connector	CF8/CF8M
4	Body	CF8/CF8M
5	Ball	304
6	Sealing Ring	PTFE/RPTFE/PPL
7	Gasket	PTFE
8	Stem	304
9	Stem Packing	PTFE/RPTFE/PPL
10	Gland	VF8
11	Bolt	B8M
12	Nut	8M
13	Actuator	Aluminium Alloy

